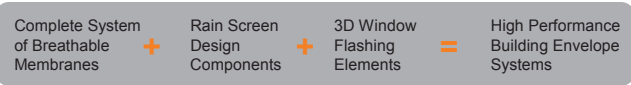


SYSTEMS APPROACH

VaproShield promotes a systems approach to building envelope design, incorporating Breathable Membranes, Rain Screen Design Components and 3D Window Flashing Elements, resulting in High Performance Building Envelope Systems.



Rain Screen Design Components include VaproBatten and VaproVent Strip. Combined with WallShield or WrapShield, these components create a very effective, easy to install rain screen design. They are engineered to ensure trapped moisture moves quickly through the building envelope ensuring maximum ventilation within drying cavity.

VaproBatten

VaproBatten is a breathable vinyl batten system for rain screen applications and supports green building design. It is environmentally friendly, made from 100% recycled material and is 100% recyclable. Its unique and innovative design is a direct replacement for pressure treated plywood furring or treated lumber battens reducing trapped moisture damage costs.

Drying Capacity

- Unique formed air cavity allows unobstructed air flow, increasing drying speed in the drainage plane.

Durability & Cost Effectiveness

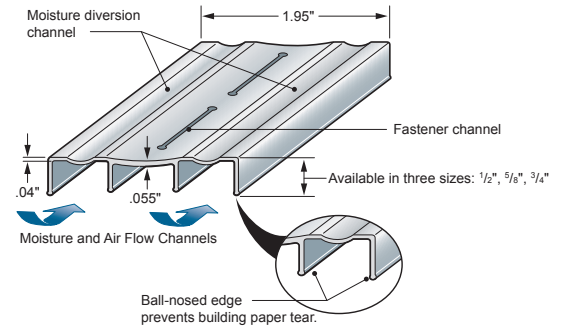
- Will not rot, twist or warp, eliminating repair costs and preventing damage within the drainage plane.
- Uses yellow zinc fasteners, reducing material costs and eliminating the need for stainless steel fasteners.
- Bull-nose edges prevent membrane tearing or ripping upon application.

Compatibility

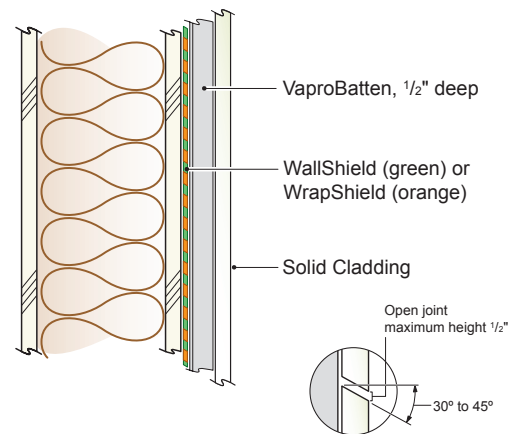
- Fasteners are installed directly through VaproBatten into the structural elements regardless of weather conditions.

Environmental Sustainability

- Made from 100% recycled materials and is 100% recyclable supporting green building design.

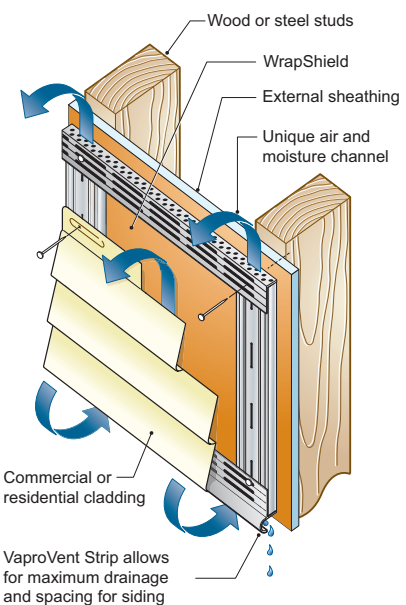


VaproBatten specification



Open Joint Option

VaproBatten installed over WallShield or WrapShield using conventional construction.



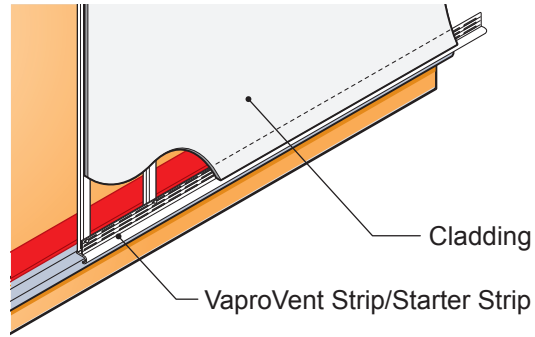
Rain Screen Design with WrapShield, VaproBatten and VaproVent Strip. The cladding fastener installs through VaproBatten into structural elements.

VaproVent Strip

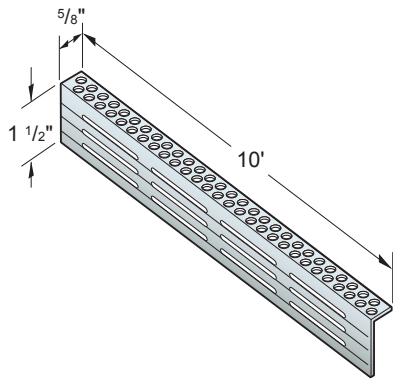
VaproVent Strips are available in two types: VaproVent Top Strip and VaproVent Hook Strip.

VaproVent Top Strip installs at the top of the building envelope assembly preventing insect invasion and providing maximum ventilation.

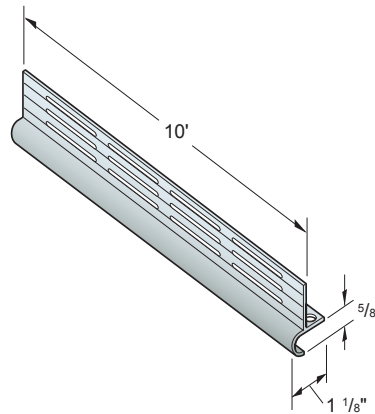
VaproVent Hook Strip is engineered to install at the bottom of the building envelope assembly. The base flange easily attaches to all types of horizontal cladding.



Close-up
WrapShield Open Joint Application using Rain Screen Design Components: VaproBatten and VaproVent Strips

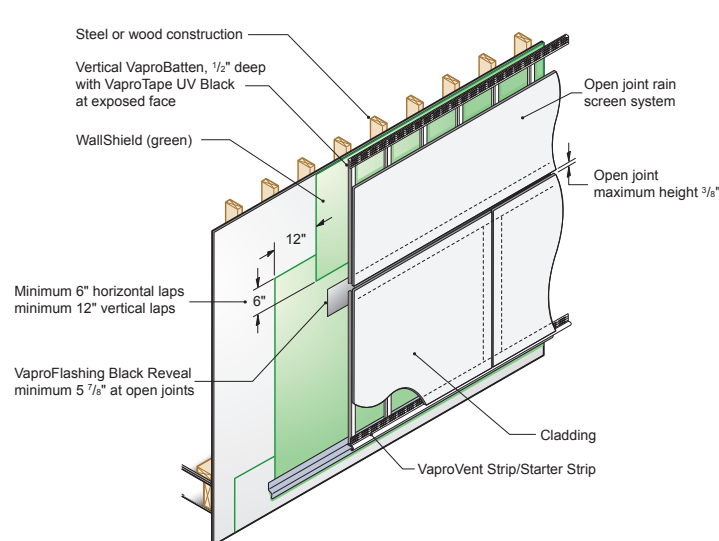


VaproVent Top Strip (perforated) installs at the top of the building envelope assembly preventing insect invasion and providing maximum ventilation.

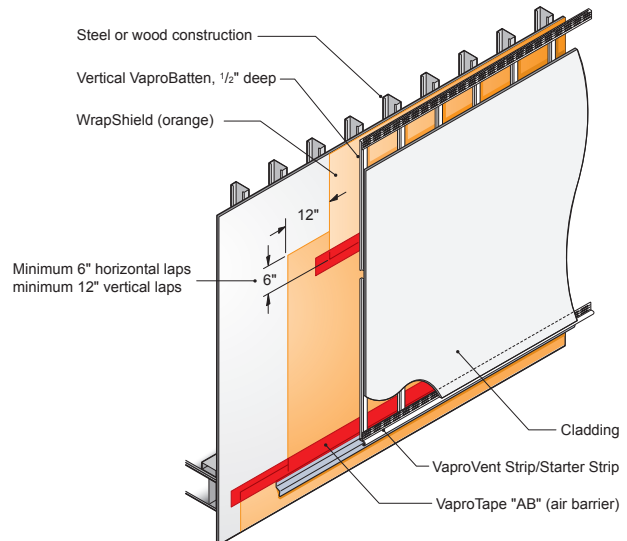


VaproVent Hook Strip installs at the base of the building envelope assembly. It easily attaches to all types of horizontal cladding.

RAIN SCREEN DESIGN APPLICATION



Open Joint Rain Screen Design with WallShield VaproFlashing(black), VaproBatten and VaproVent Strip



Solid Cladding with WrapShield as an Air Barrier System