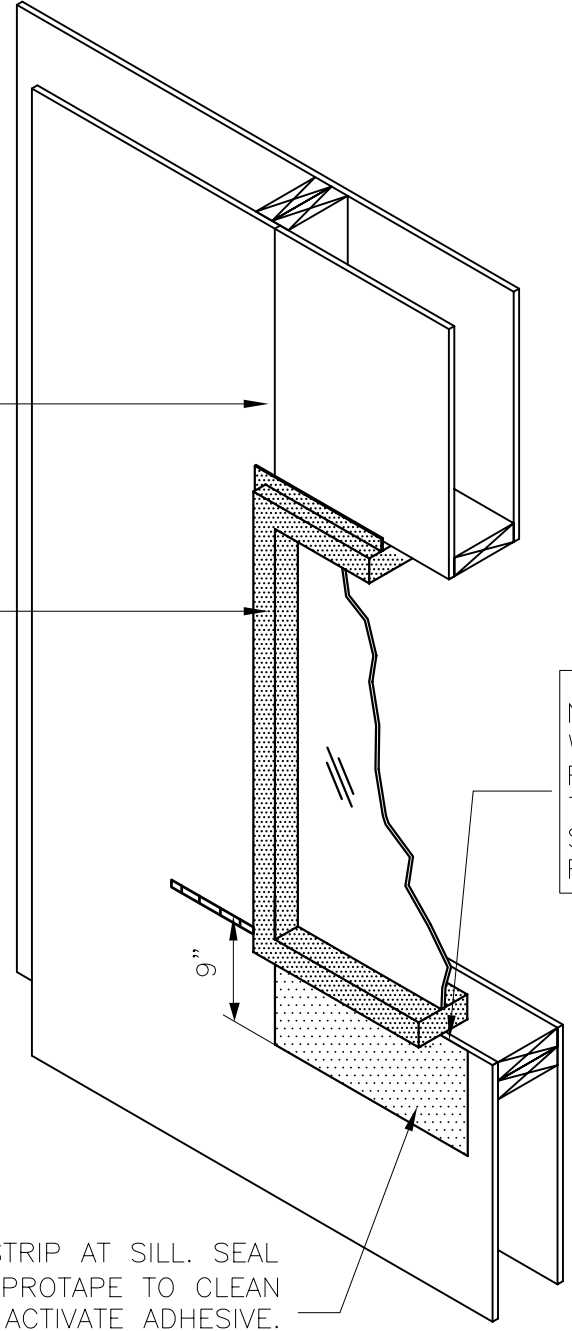


TYPICAL EXTERIOR WALL ASSEMBLY

EXISTING WINDOW SECURED INTO PLACE PER MANUFACTURER'S RECOMMENDATIONS (BY OTHERS)



NOTE:
WHERE EXISTING SILL FLASHING IS IN PLACE, TUCK NEW FLASHING STRIP UNDER EXISTING FLASHING

INSTALL VAPROFLASHING STRIP AT SILL. SEAL W/ DOUBLE-SIDED VAPROTAPE TO CLEAN WINDOW FLANGE. ROLL TO ACTIVATE ADHESIVE. EXTEND DOUBLE-SIDED VAPROTAPE 9" BEYOND JAMBS. ROLL INTO PLACE TO SEAL. DO NOT ADHERE LOWER EDGE OF VAPROFLASHING @ THIS STEP

FOR AIR BARRIER WINDOW FLASHING DETAIL, ALL LAPS OF MEMBRANE & FLASHINGS REQUIRE TO BE SEALED W/VAPROTAPE. ROLL TO ACTIVATE ADHESIVE

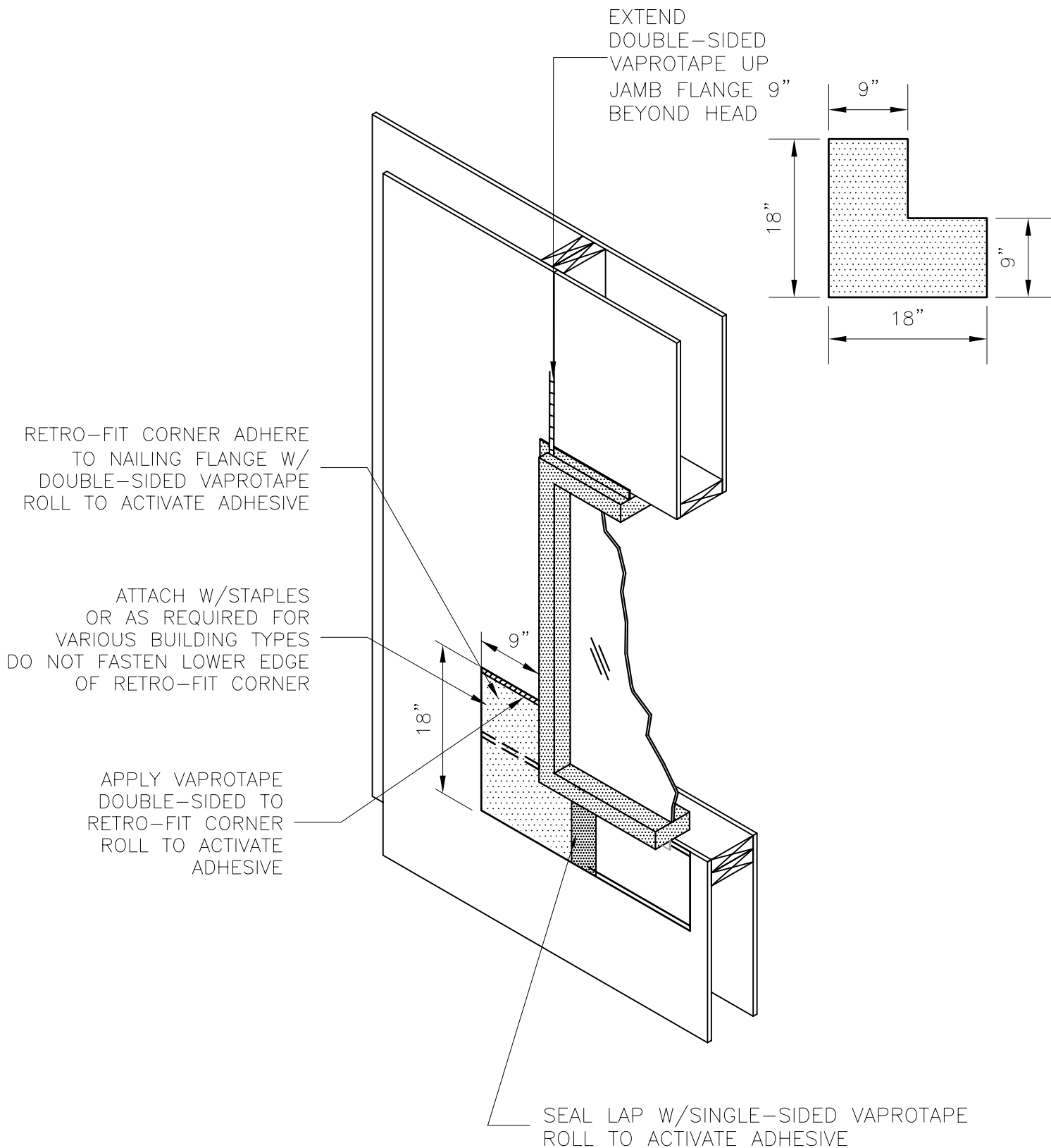


VaproShield LLC
915 26th Ave N.W., #C5
Gig Harbor, WA 98335
Toll Free (1)-866-731-7663
Fax: 253-858-3297
Email: info@VaproShield.com
www.VaproShield.com

ARCH. REFERENCE:	REVISION:
PROJECT:	
TITLE: RETRO FIT WINDOW FLASHING STEP 1	
DATE: 07.06.07	Vaproshield-0009
SCALE: N.T.S.	

DRAWN BY: JLR

CHECKED BY:



VaproShield LLC
 915 26th Ave N.W., #C5
 Gig Harbor, WA 98335
 Toll Free (1)-866-731-7663
 Fax: 253-858-3297
 Email: info@VaproShield.com
 www.VaproShield.com

ARCH. REFERENCE:

REVISION:

PROJECT:

TITLE: RETRO FIT WINDOW FLASHING STEP 2

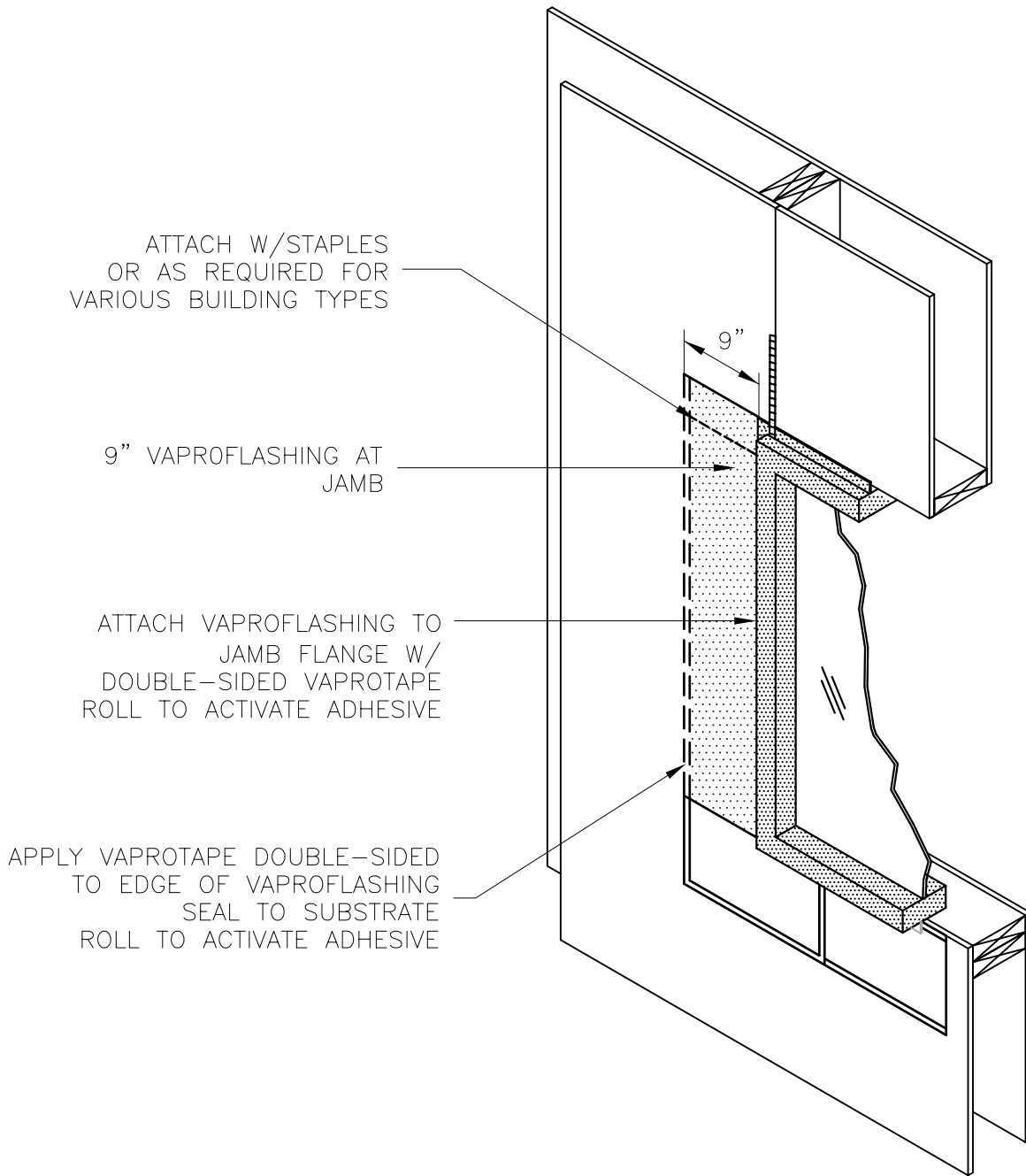
DATE: 07.06.07

Vaproshield-0009

DRAWN BY: JLR

CHECKED BY: CRM

SCALE: N.T.S.



VaproShield LLC
915 26th Ave N.W., #C5
Gig Harbor, WA 98335
Toll Free (1)-866-731-7663
Fax: 253-858-3297
Email: info@VaproShield.com
www.VaproShield.com

ARCH. REFERENCE:

REVISION:

PROJECT:

TITLE: RETRO FIT WINDOW FLASHING STEP 3

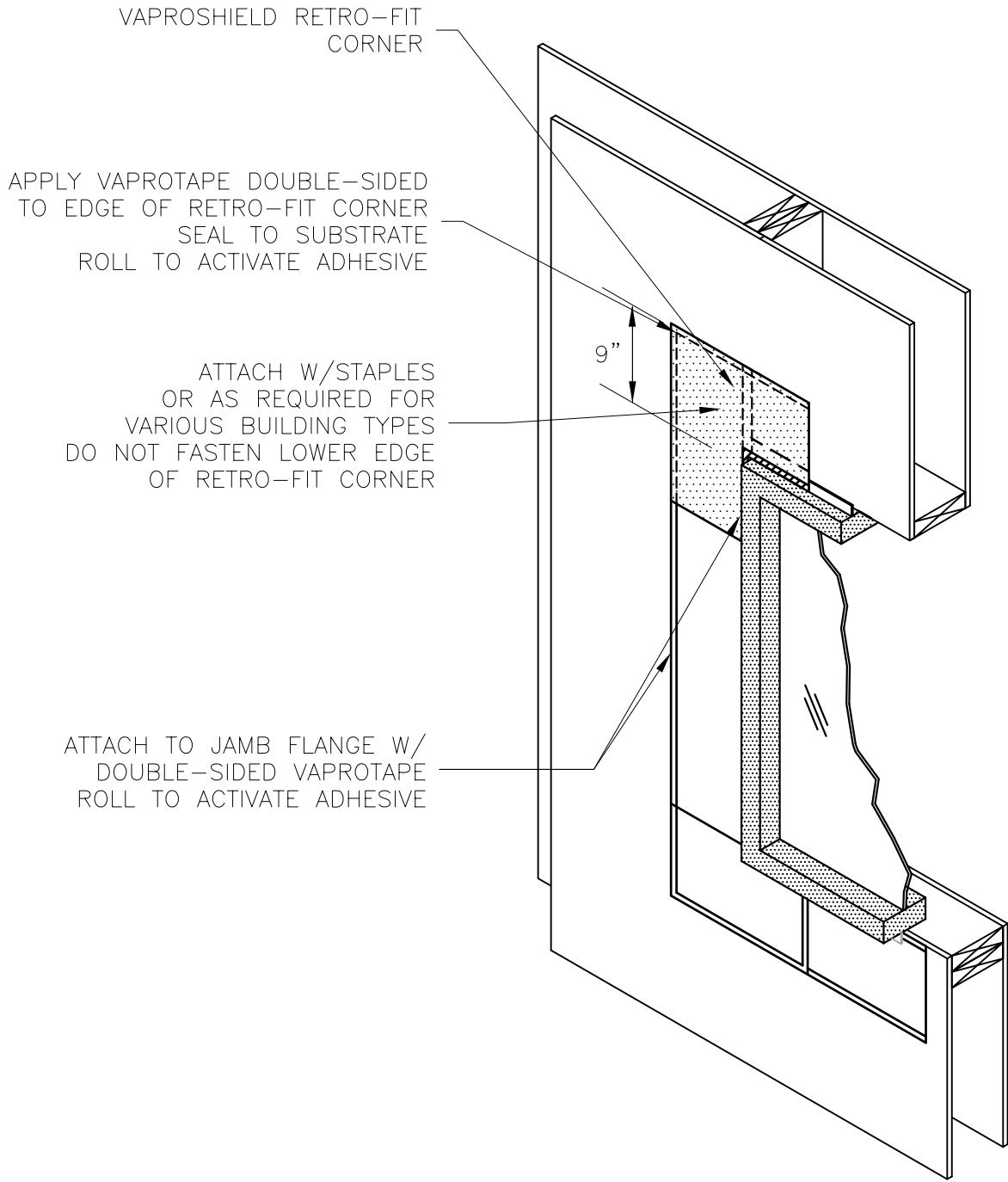
DATE: 07.06.07

Vaproshield-0009

DRAWN BY: JLR

CHECKED BY:

SCALE: N.T.S.



VaproShield LLC
 915 26th Ave N.W., #C5
 Gig Harbor, WA 98335
 Toll Free (1)-866-731-7663
 Fax: 253-858-3297
 Email: info@VaproShield.com
 www.VaproShield.com

ARCH. REFERENCE: REVISION:

PROJECT:

TITLE: RETRO FIT WINDOW FLASHING STEP 4

DATE: 07.06.07

Vaproshield-0009

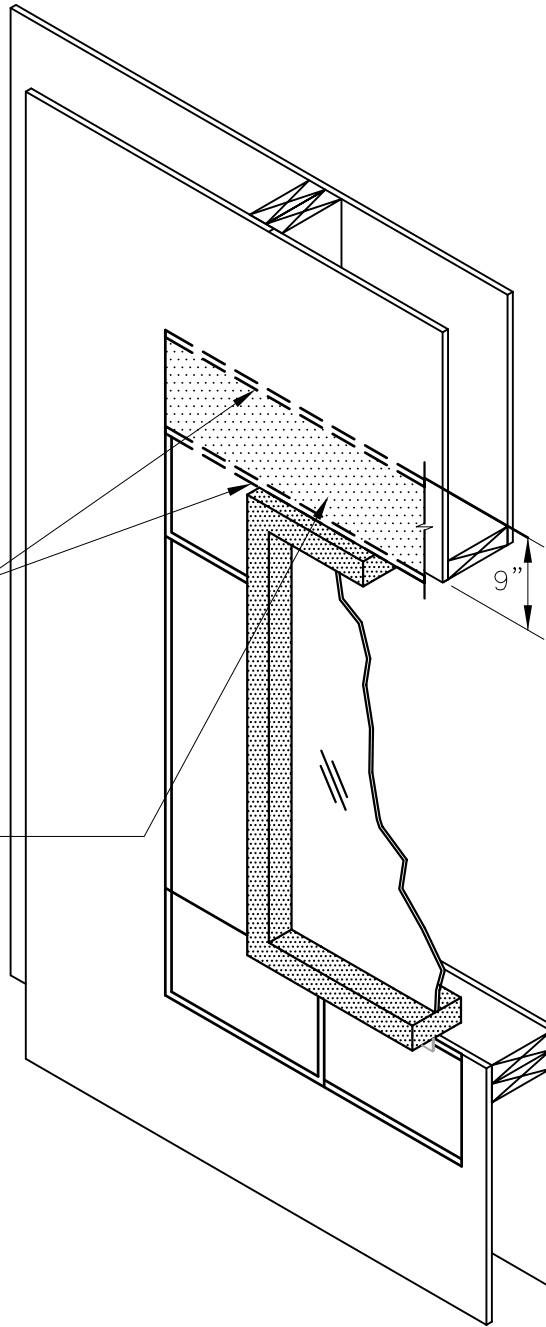
DRAWN BY: JLR

CHECKED BY:

SCALE: N.T.S.

ATTACH W/ DOUBLE-SIDED VAPROTAPE ROLL TO ACTIVATE ADHESIVE

VAPROSHIELD RETRO-FIT FLASHING STRIP AT HEAD



VaproShield LLC
915 26th Ave N.W., #C5
Gig Harbor, WA 98335
Toll Free (1)-866-731-7663
Fax: 253-858-3297
Email: info@VaproShield.com
www.VaproShield.com

ARCH. REFERENCE:

REVISION:

PROJECT:

TITLE: RETRO FIT WINDOW FLASHING STEP 5

DATE: 07.06.07

Vaproshield-0009

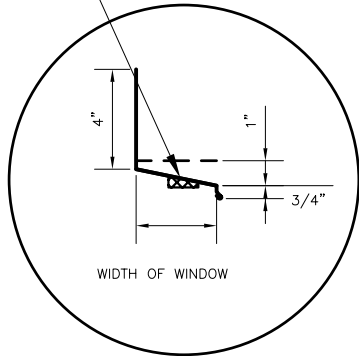
DRAWN BY: JLR

CHECKED BY: CRM

SCALE: N.T.S.

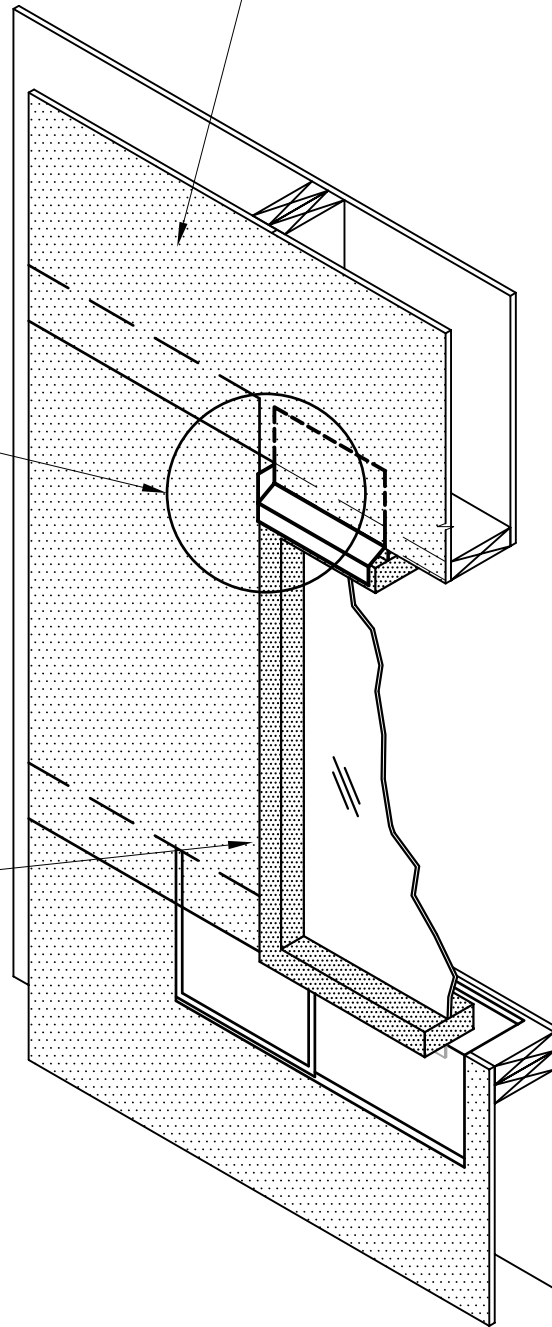
EXTEND WALLSHIELD/WRAPSHIELD O/ HEAD FLASHING
& SEAL TO VERTICAL LEG OF HEAD FLASHING W/
DOUBLE-SIDED VAPROTAPE
SLIT TO ACCOMMODATE END DAMS

VAPROSHIELD
EXPANDING
FOAM TAPE TO
SEAL TO
WINDOW HEAD



INSTALL MIN. 26 GA. PRE FINISHED
HEAD FLASHING
SECURE @ TOP OF 4" VERTICAL
FLANGE 8" O.C. BY OTHERS

EXTEND WALLSHIELD/WRAPSHIELD TO
EDGE OF WINDOW JAMBS
SEAL USING VAPROTAPE DOUBLE-SIDED
ROLL TO ACTIVATE ADHESIVE



VaproShield LLC
915 26th Ave N.W., #C5
Gig Harbor, WA 98335
Toll Free (1)-866-731-7663
Fax: 253-858-3297
Email: info@VaproShield.com
www.VaproShield.com

ARCH. REFERENCE:

REVISION:

PROJECT:

TITLE: RETRO FIT WINDOW FLASHING STEP 6

DATE: 07.06.07

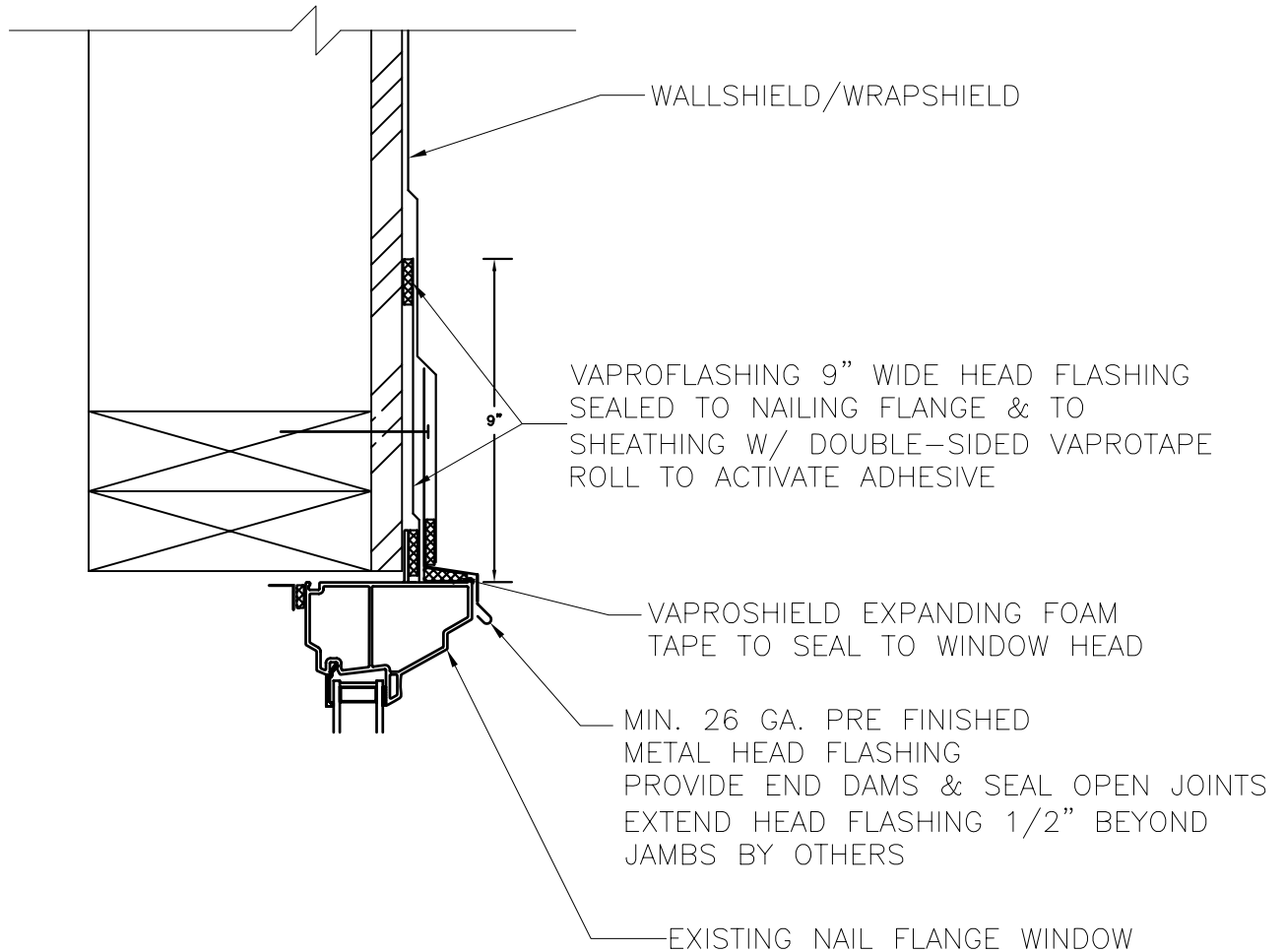
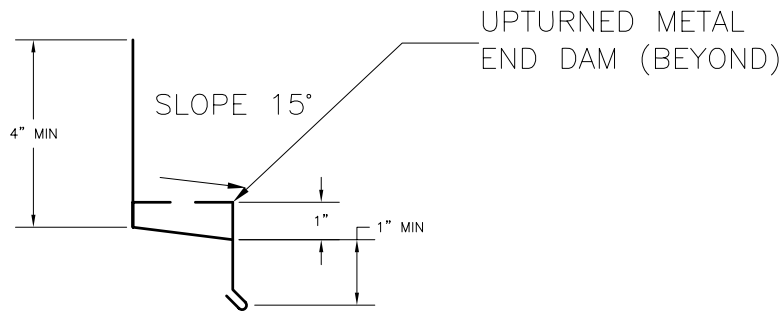
Vaproshield-0009

DRAWN BY: JLR

CHECKED BY:

SCALE: N.T.S.

(METAL HEAD FLASHING BY OTHERS)



NOTE:
CONTRACTOR TO VERIFY ALL DIMENSIONS
IN THE FIELD. MEMBRANE AND FLASHING
COMPONENTS ARE NOT SHOWN TO SCALE
FOR CLARITY.



VaproShield LLC
915 26th Ave N.W., #C5
Gig Harbor, WA 98335
Toll Free (1)-866-731-7663
Fax: 253-858-3297
Email: info@VaproShield.com
www.VaproShield.com

ARCH. REFERENCE:

REVISION:

PROJECT:

TITLE: RETRO FIT WINDOW FLASHING HEAD

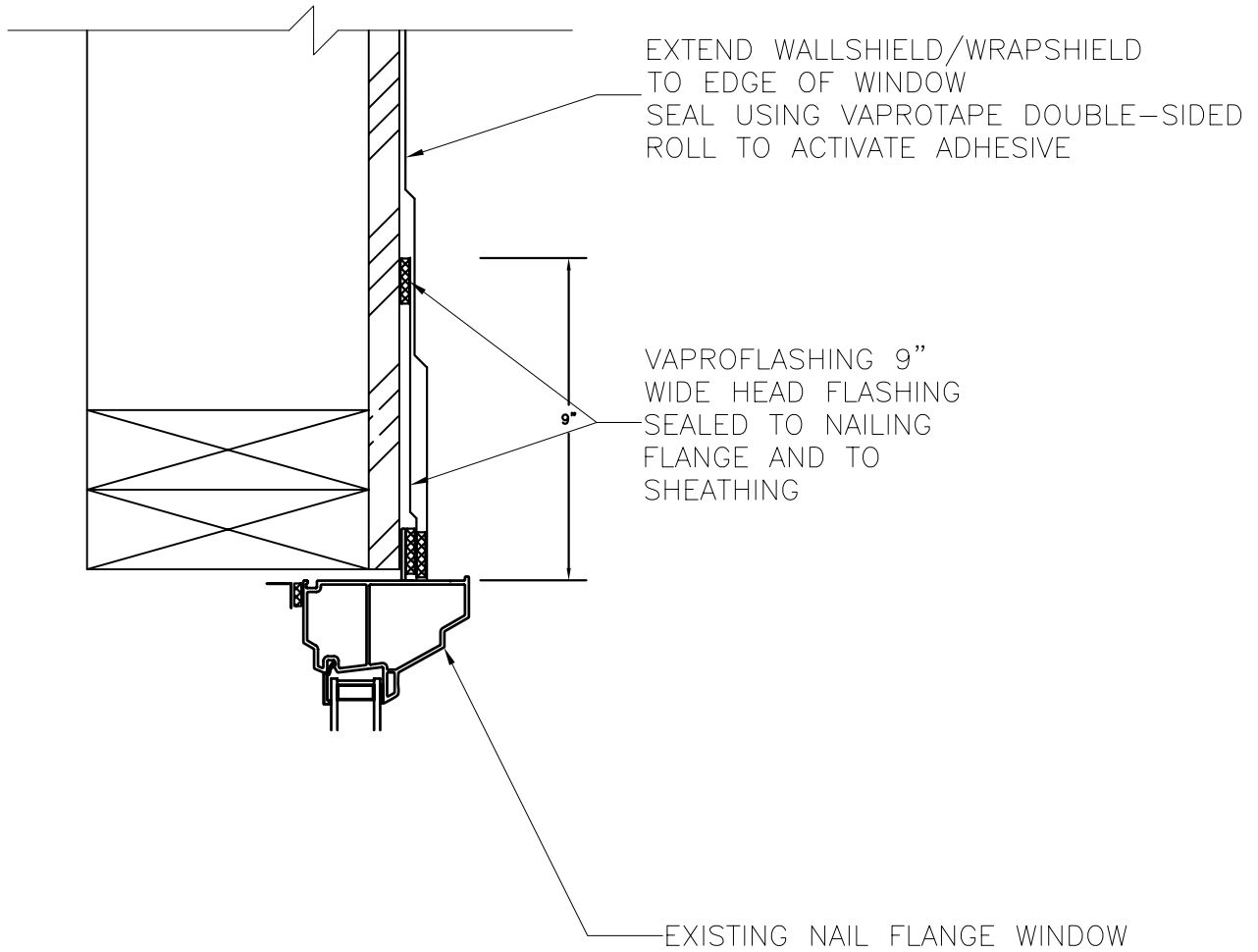
DATE: 07.06.07

Vaproshield-0009

DRAWN BY: JLR

CHECKED BY:

SCALE: N.T.S.



NOTE:
CONTRACTOR TO VERIFY ALL DIMENSIONS IN THE FIELD.
MEMBRANE AND FLASHING COMPONENTS ARE NOT SHOWN TO SCALE FOR CLARITY.



VaproShield LLC
915 26th Ave N.W., #C5
Gig Harbor, WA 98335
Toll Free (1)-866-731-7663
Fax: 253-858-3297
Email: info@VaproShield.com
www.VaproShield.com

ARCH. REFERENCE:

REVISION:

PROJECT:

TITLE: RETRO FIT WINDOW FLASHING JAMB

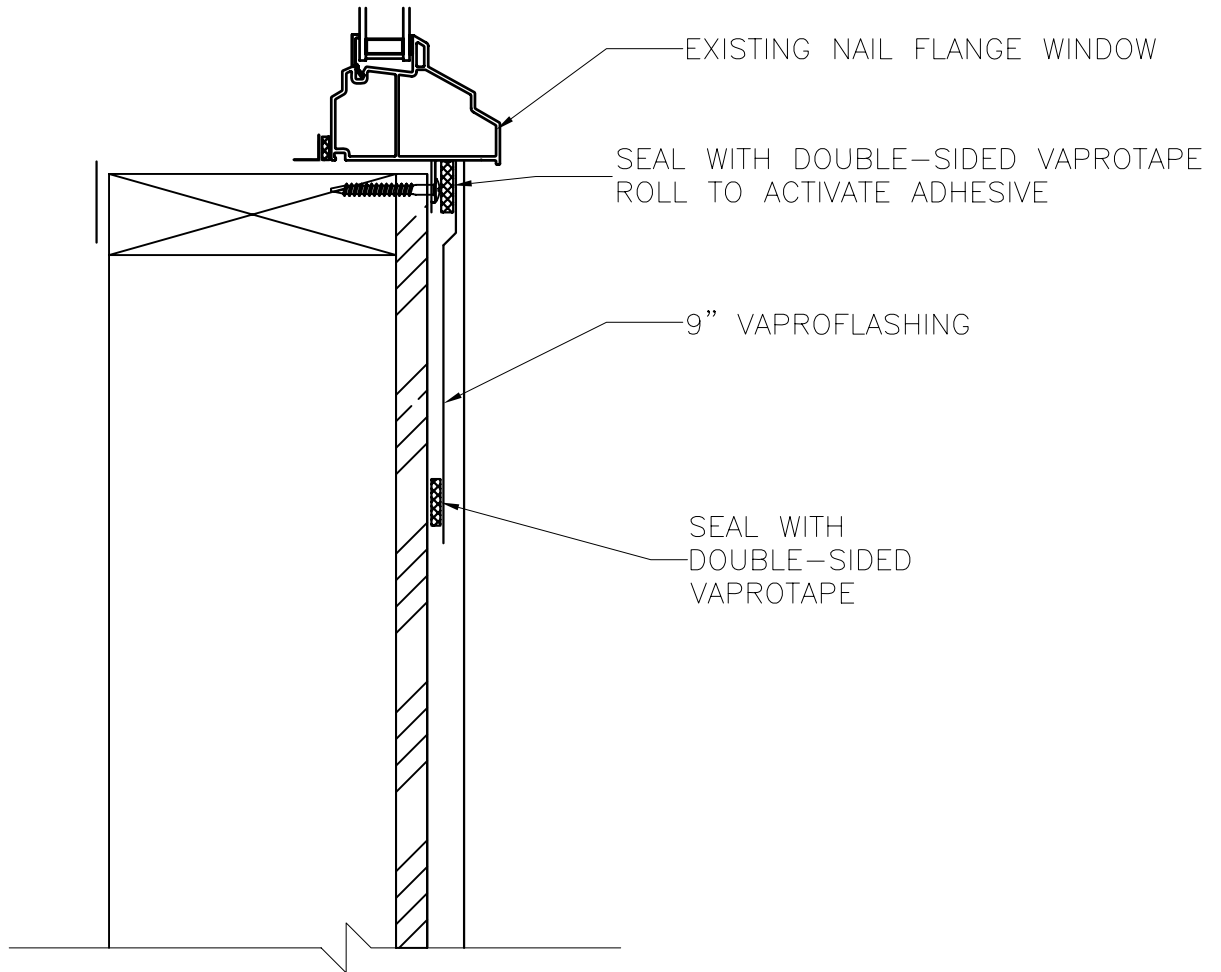
DATE: 07.06.07

Vaproshield-0009

DRAWN BY: JLR

CHECKED BY:

SCALE: N.T.S.



NOTE:
 CONTRACTOR TO VERIFY ALL DIMENSIONS
 IN THE FIELD.
 MEMBRANE AND FLASHING COMPONENTS
 ARE NOT SHOWN TO SCALE FOR CLARITY.



VaproShield LLC
 915 26th Ave N.W., #C5
 Gig Harbor, WA 98335
 Toll Free (1)-866-731-7663
 Fax: 253-858-3297
 Email: info@VaproShield.com
 www.VaproShield.com

ARCH. REFERENCE: REVISION:

PROJECT:

TITLE: RETRO FIT WINDOW FLASHING SILL

DATE: 07.06.07

Vaproshield-0009

DRAWN BY: JLR

CHECKED BY:

SCALE: N.T.S.