

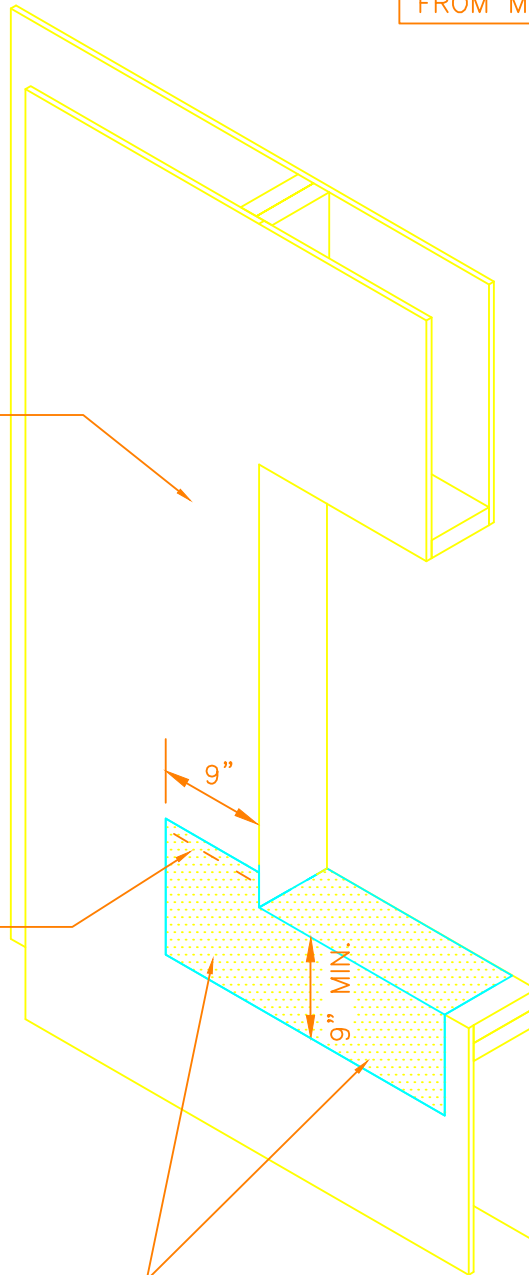
FOR AIR BARRIER WINDOW FLASHING DETAIL, ALL JOINTS OF MEMBRANE AND FLASHINGS SHALL BE SEALED W/VAPROTAPE

NOTE:
PROTECT WALL ASSEMBLY FROM MOISTURE

TYPICAL EXTERIOR WALL ASSEMBLY

ATTACH W/ STAPLES OR AS REQUIRED BY VARIOUS BUILDING TYPES

INSTALL VAPROFLASHING @ SILL
DO NOT ATTACH LOWER 6" EDGE @ THIS STEP



VaproShield LLC
915 26th Ave N.W., Suite C5
Gig Harbor, WA 98335
Toll Free (1)-866-731-7663
Fax: 253-858-3297
Email: info@VaproShield.com
www.VaproShield.com

NOTE: Drawing is diagrammatic and not drawn to scale. Verify all dimensions and conditions before installation. Contact Vaproshield for project specific conditions. Vaproshield can review and comment on installation of our products. Other project specific requirements, such as: material compatibility, and jurisdictional codes vary and therefore govern over material selection and detailing shown.

ARCH. REFERENCE:

REVISION:

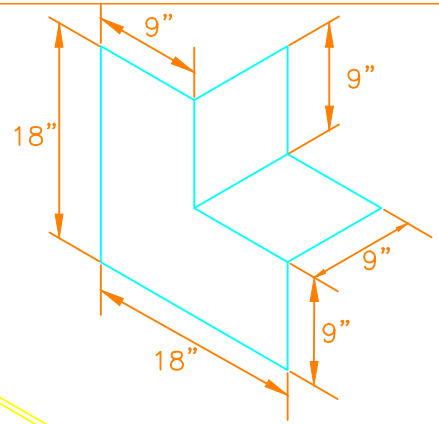
PROJECT:

TITLE: FLANGED WINDOW METHOD "A": STEP 1

DATE: 10.14.09

SCALE: N.T.S.

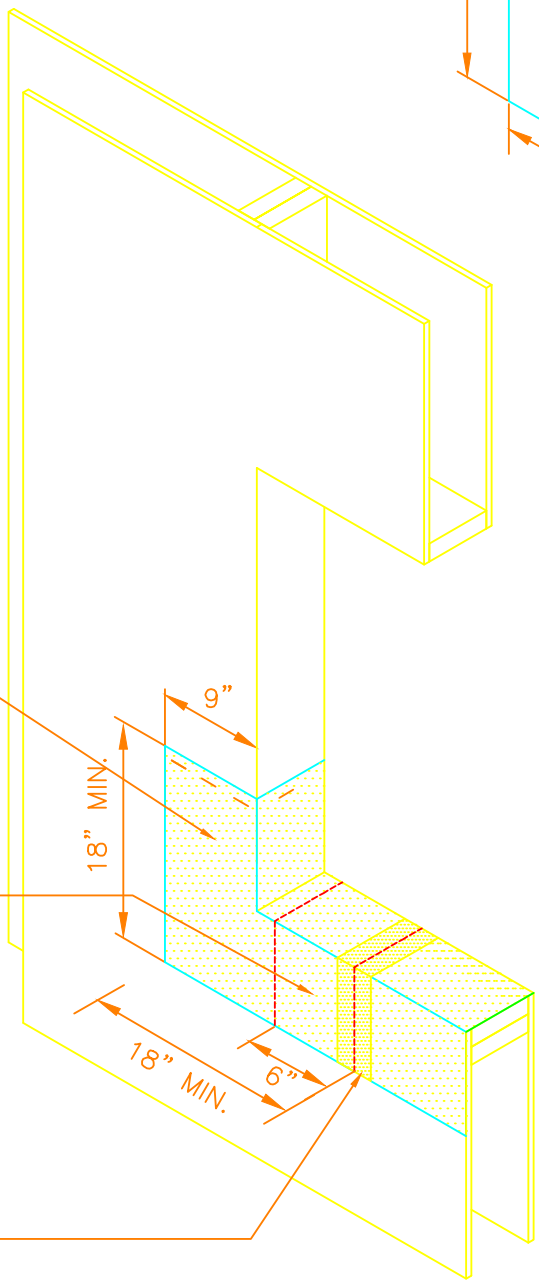
Vaproshield-05-1



INSTALL VAPROSHIELD 3-D
PRE-FORMED CORNERS @ SILL
ATTACH W/STAPLES OR AS
REQUIRED FOR VARIOUS BUILDING
TYPES

VAPROTAPE OVER LAP OF
PRE-FORMED VAPROSHIELD
CORNERS

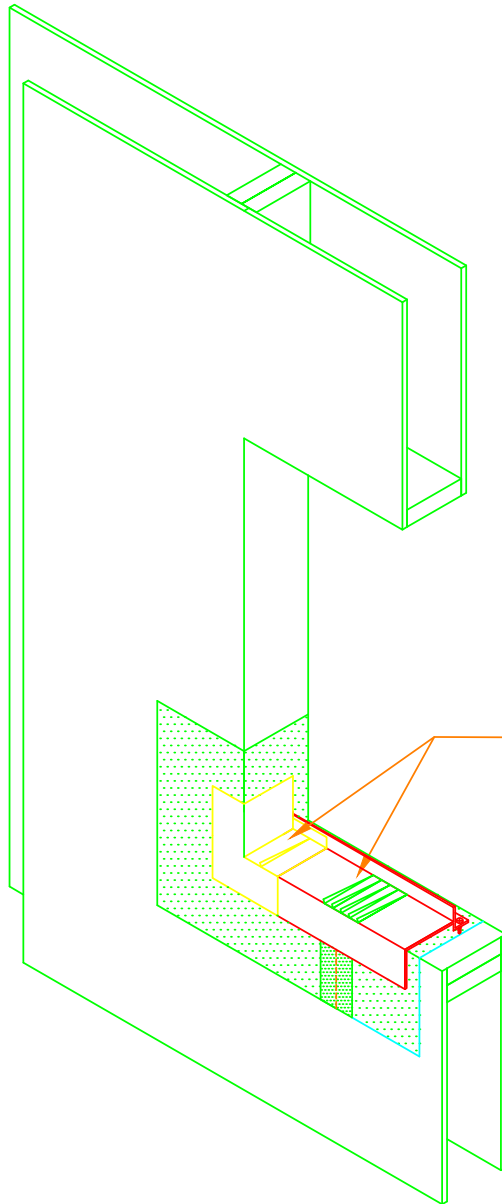
VAPROTAPE OVER LAP OF
PRE-FORMED VAPROSHIELD
CORNERS



VaproShield LLC
915 26th Ave N.W., Suite C5
Gig Harbor, WA 98335
Toll Free (1)-866-731-7663
Fax: 253-858-3297
Email: info@VaproShield.com
www.VaproShield.com

NOTE: Drawing is diagrammatic and not drawn to scale. Verify all dimensions and conditions before installation. Contact Vaproshield for project specific conditions. Vaproshield can review and comment on installation of our products. Other project specific requirements, such as: material compatibility, and jurisdictional codes vary and therefore govern over material selection and detailing shown.

ARCH. REFERENCE:	REVISION:
PROJECT:	
TITLE: FLANGED WINDOW METHOD "A": STEP 2	
DATE: 10.14.09	Vaproshield-05-2
SCALE: N.T.S.	



INSTALL SILLSAVER PAN, CORNER AND SPACERS @ 6" ON CENTER TO SILL OF ROUGH OPENING

SILL SAVER NOTES:

1. REFER TO VAPROSHIELD'S SILL SAVER INSTALLATION GUIDELINES.
2. ALLOW FOR 3/4" MORE ROUGH OPENING THAN WINDOW HEIGHT TO ACCOMMODATE THE SILL PAN.



VaproShield LLC
 915 26th Ave N.W., Suite C5
 Gig Harbor, WA 98335
 Toll Free (1)-866-731-7663
 Fax: 253-858-3297
 Email: info@VaproShield.com
 www.VaproShield.com

NOTE: Drawing is diagrammatic and not drawn to scale. Verify all dimensions and conditions before installation. Contact Vaproshield for project specific conditions. Vaproshield can review and comment on installation of our products. Other project specific requirements, such as: material compatibility, and jurisdictional codes vary and therefore govern over material selection and detailing shown.

ARCH. REFERENCE:

REVISION:

PROJECT:

TITLE: FLANGED WINDOW METHOD "A": STEP 3

DATE: 10.14.09

SCALE: N.T.S.

Vaproshield-05-3

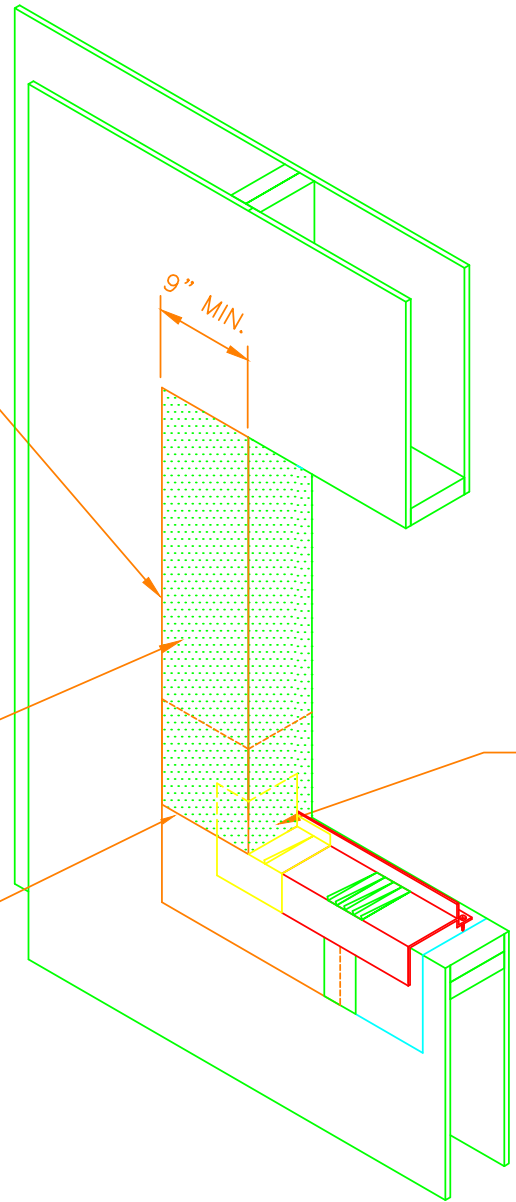
INSTALL VAPROFLASHING @ JAMBS

ATTACH W/STAPLES
OR AS REQUIRED
FOR VARIOUS
BUILDING TYPES

TAPE ALL SEAMS
FOR AIR-BARRIER
DESIGNS

9" MIN.

LAP JAMB FLASHING
O/ END DAMS



VaproShield LLC
915 26th Ave N.W., Suite C5
Gig Harbor, WA 98335
Toll Free (1)-866-731-7663
Fax: 253-858-3297
Email: info@VaproShield.com
www.VaproShield.com

ARCH. REFERENCE: REVISION:

PROJECT:

TITLE: FLANGED WINDOW METHOD "A": STEP 4

DATE: 10.14.09

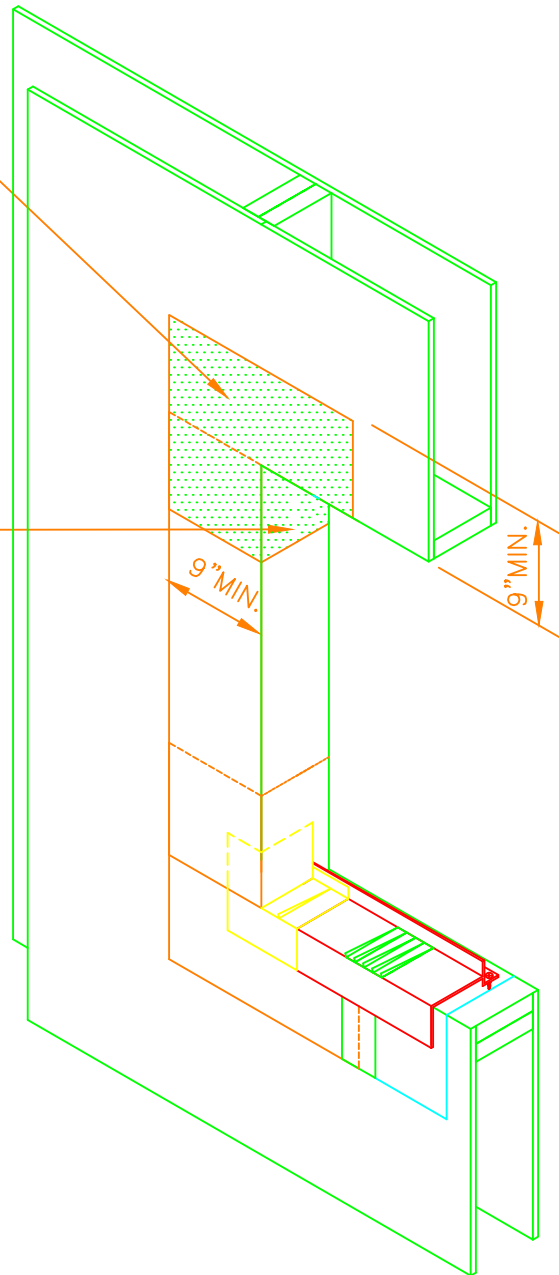
SCALE: N.T.S.

Vaproshield-05-4

NOTE: Drawing is diagrammatic and not drawn to scale. Verify all dimensions and conditions before installation. Contact Vaproshield for project specific conditions. Vaproshield can review and comment on installation of our products. Other project specific requirements, such as: material compatibility, and jurisdictional codes vary and therefore govern over material selection and detailing shown.

INSTALL VAPROSHIELD 3-D
 CORNERS @ HEAD
 ATTACH W/STAPLES OR AS
 REQUIRED FOR VARIOUS
 BUILDING TYPES

CUT INSIDE EDGE OF
 PRE-FORMED CORNERS TO
 ALIGN W/JAMB & HEAD FLASHINGS



VaproShield LLC
 915 26th Ave N.W., Suite C5
 Gig Harbor, WA 98335
 Toll Free (1)-866-731-7663
 Fax: 253-858-3297
 Email: info@VaproShield.com
 www.VaproShield.com

ARCH. REFERENCE:

REVISION:

PROJECT:

TITLE: FLANGED WINDOW METHOD "A": STEP 5

DATE: 10.14.09

SCALE: N.T.S.

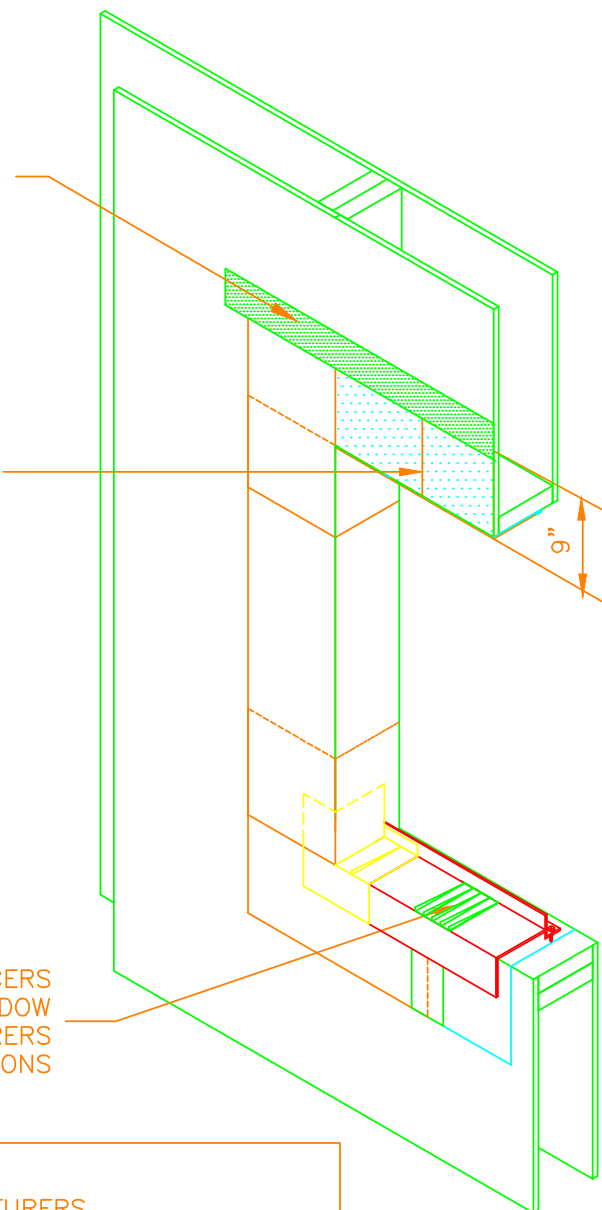
Vaproshield-05-5

NOTE: Drawing is diagrammatic and not drawn to scale. Verify all dimensions and conditions before installation. Contact Vaproshield for project specific conditions. Vaproshield can review and comment on installation of our products. Other project specific requirements, such as: material compatibility, and jurisdictional codes vary and therefore govern over material selection and detailing shown.

INSTALL SINGLE-SIDED
2" VAPROTAPE OVER
VAPROFLASHING &
SEAL TO SUBSTRATE

INSTALL VAPRO
FLASHING @ HEAD
FOLD INTO R.O. &
ATTACH TO INTERIOR
FRAMING

SILLSAVER SPACERS
INSTALL PER WINDOW
MANUFACTURERS
RECOMMENDATIONS



NOTE:
SOME WINDOW MANUFACTURERS
REQUIRE CONTINUOUS SUPPORT

NOTE:
WHEN ATTACHING VAPROSHIELD AND 3D CORNERS
TO STEEL STUDS, USE VAPROADHESIVE
SPRAY TO BOND



VaproShield LLC
915 26th Ave N.W., Suite C5
Gig Harbor, WA 98335
Toll Free (1)-866-731-7663
Fax: 253-858-3297
Email: info@VaproShield.com
www.VaproShield.com

ARCH. REFERENCE:

REVISION:

PROJECT:

TITLE: FLANGED WINDOW METHOD "A": STEP 6

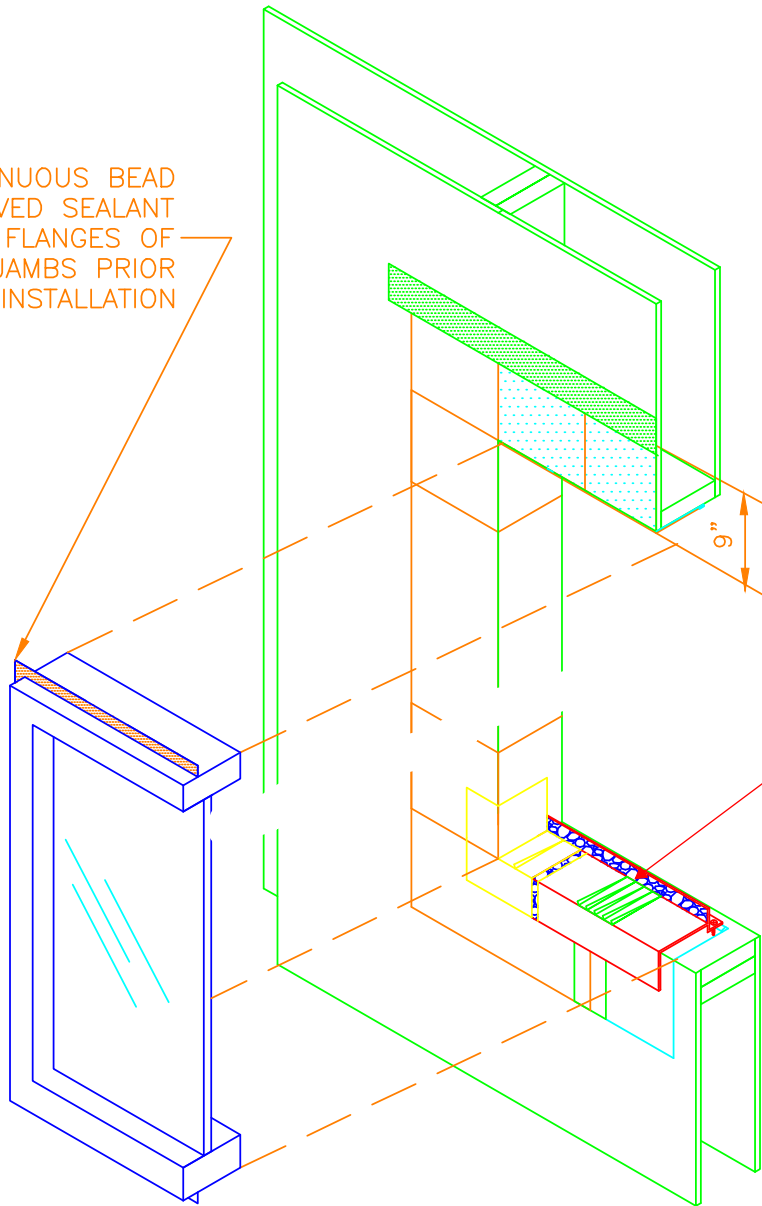
DATE: 10.14.09

SCALE: N.T.S.

Vaproshield-05-6

NOTE: Drawing is diagrammatic and not drawn to scale. Verify all dimensions and conditions before installation. Contact Vaproshield for project specific conditions. Vaproshield can review and comment on installation of our products. Other project specific requirements, such as: material compatibility, and jurisdictional codes vary and therefore govern over material selection and detailing shown.

ADD A CONTINUOUS BEAD OF APPROVED SEALANT BEHIND THE FLANGES OF THE HEAD & JAMBS PRIOR TO INSTALLATION



SECURE WINDOW AS PER WINDOW MANUFACTURER'S RECOMMENDATIONS

ADD A CONTINUOUS BEAD OF SEALANT @ THE BACK OF THE SILLSAVER PAN AND ALONG THE PAN/END DAM CONNECTION



VaproShield LLC
 915 26th Ave N.W., Suite C5
 Gig Harbor, WA 98335
 Toll Free (1)-866-731-7663
 Fax: 253-858-3297
 Email: info@VaproShield.com
 www.VaproShield.com

ARCH. REFERENCE:

REVISION:

PROJECT:

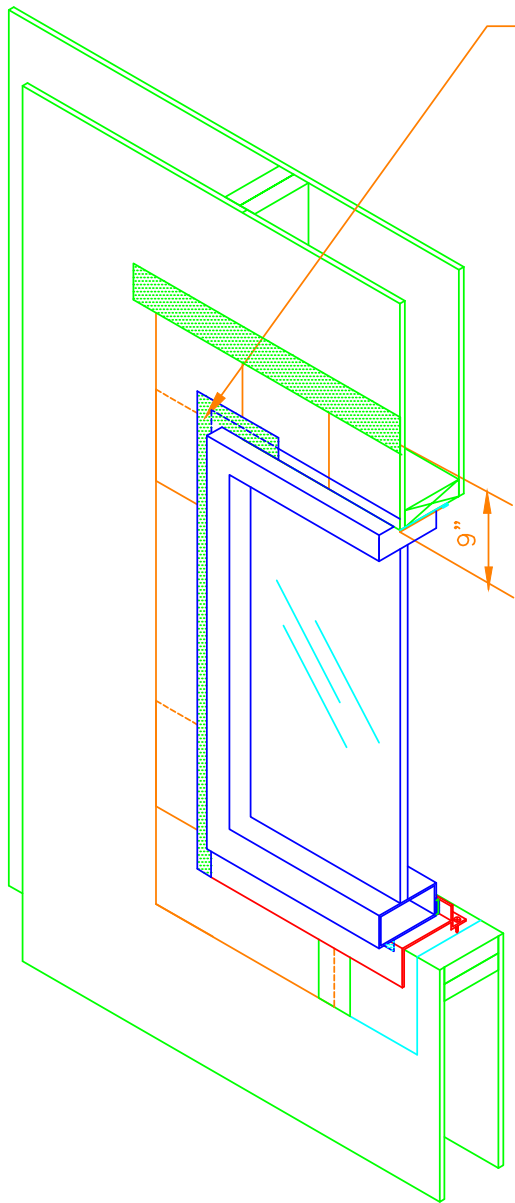
TITLE: FLANGED WINDOW METHOD "A": STEP 7

DATE: 10.14.09

SCALE: N.T.S.

Vaproshield-05-7

NOTE: Drawing is diagrammatic and not drawn to scale. Verify all dimensions and conditions before installation. Contact Vaproshield for project specific conditions. Vaproshield can review and comment on installation of our products. Other project specific requirements, such as: material compatibility, and jurisdictional codes vary and therefore govern over material selection and detailing shown.



SEAL WALLSHIELD/WRAPSHIELD
TO NAILING FLANGE WITH
SINGLE-SIDED 3" VAPROTAPE AT
HEADS AND JAMBS ONLY
ROLL TO ACTIVATE ADHESIVE



VaproShield LLC
915 26th Ave N.W., Suite C5
Gig Harbor, WA 98335
Toll Free (1)-866-731-7663
Fax: 253-858-3297
Email: info@VaproShield.com
www.VaproShield.com

ARCH. REFERENCE: REVISION:

PROJECT:

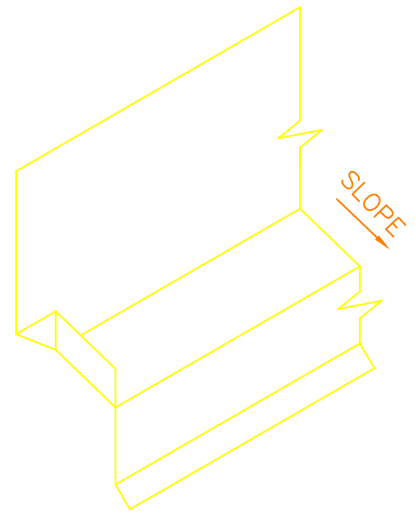
TITLE: FLANGED WINDOW METHOD "A": STEP 8

DATE: 10.14.09

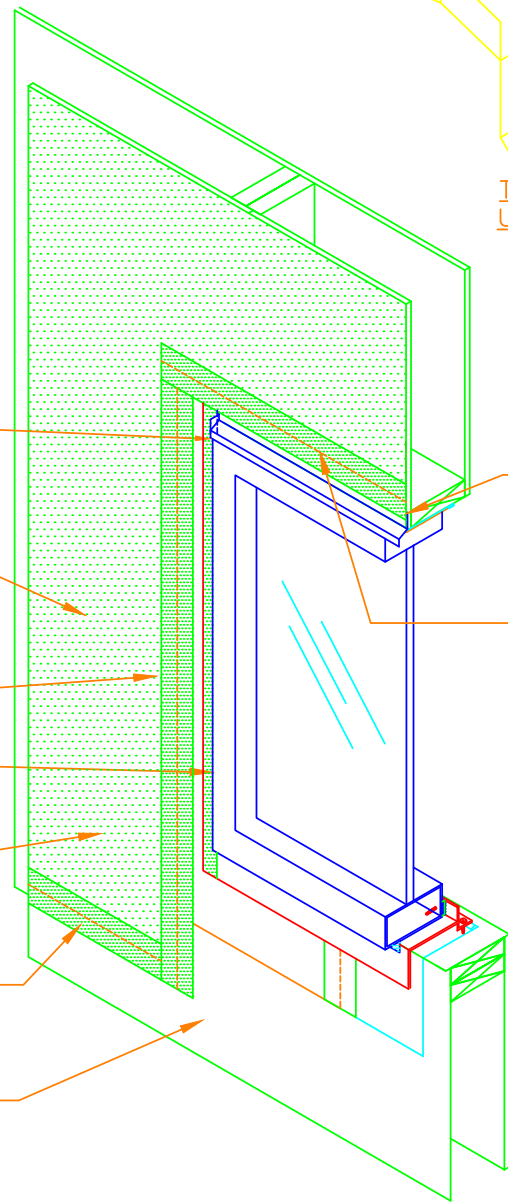
SCALE: N.T.S.

Vaproshield-05-8

NOTE: Drawing is diagrammatic and not drawn to scale. Verify all dimensions and conditions before installation. Contact Vaproshield for project specific conditions. Vaproshield can review and comment on installation of our products. Other project specific requirements, such as: material compatibility, and jurisdictional codes vary and therefore govern over material selection and detailing shown.



TYPICAL BFOLED UNBROKEN END DAM



INSTALL METAL HEAD FLASHING WITH FOLDED END DAMS

INSTALLATION OF WALLSHIELD/WRAPSHIELD LAP 6" @ HORIZONTAL JOINTS & 12" @ VERTICAL JOINTS

VAPRO-TAPE TO JAMB FLASHING

WALLSHIELD/WRAPSHIELD TO EXTEND TO EDGE OF R.O. AT JAMBS

UPPER WRAPSHIELD/WALLSHIELD FIELD MEMBRANE MUST LAP OVER LOWER MEMBRANES.

FOR AIR-BARRIER DESIGN TAPE ALL HORIZONTAL OVERLAPS,

SLIP WRAPSHIELD/WALLSHIELD FIELD MEMBRANE UNDER VAPROFLASHING & ATTACH

FOR AIR-BARRIER DESIGN, INSTALL SINGLE-SIDED VAPRO TAPE OVER LEG OF METAL HEAD FLASHING AND PROVIDE VAPRO-TAPE AT ALL FIELD MEMBRANE TO VAPRO-FLASHING JUNCTIONS



VaproShield LLC
 915 26th Ave N.W., Suite C5
 Gig Harbor, WA 98335
 Toll Free (1)-866-731-7663
 Fax: 253-858-3297
 Email: info@VaproShield.com
 www.VaproShield.com

ARCH. REFERENCE:	REVISION:
PROJECT:	
TITLE: FLANGED WINDOW METHOD "A": STEP 9	
DATE: 10.14.09	Vaproshield-05-9
SCALE: N.T.S.	

NOTE: Drawing is diagrammatic and not drawn to scale. Verify all dimensions and conditions before installation. Contact Vaproshield for project specific conditions. Vaproshield can review and comment on installation of our products. Other project specific requirements, such as: material compatibility, and jurisdictional codes vary and therefore govern over material selection and detailing shown.