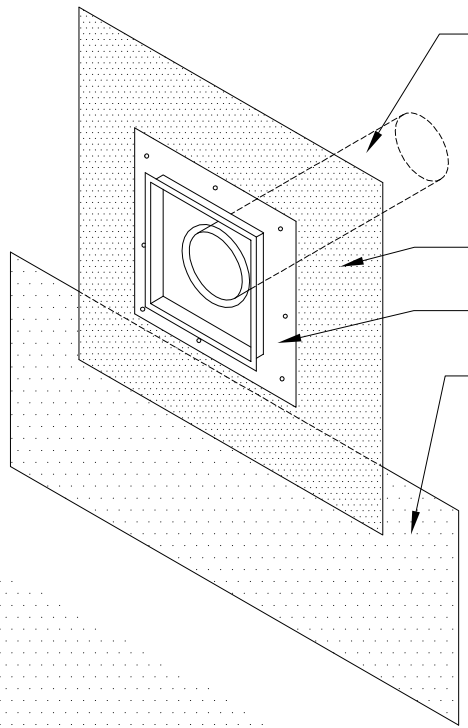


STEP 1

INSTALL VENT PIPE (AS PER MANUFACTURER) THROUGH WALL, PROVIDE SEALANT AROUND VENT PENETRATION TYPICAL



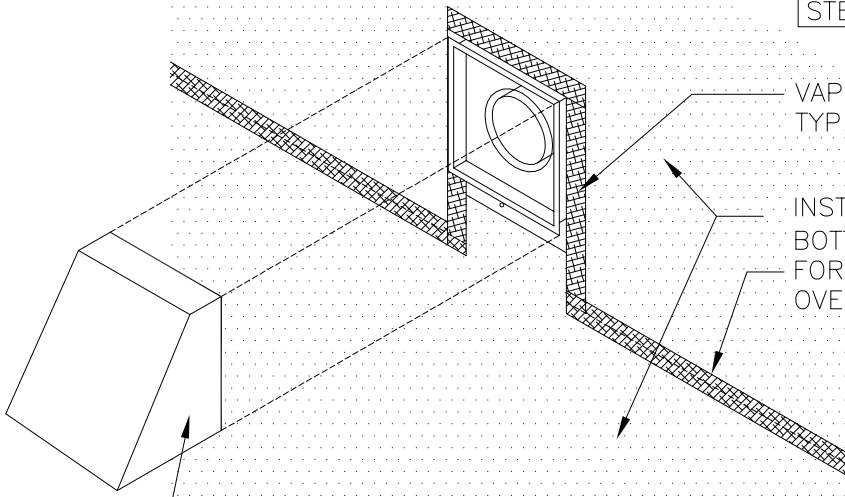
ALUMA-FLASHING TARGET STRIP UNDER VENT HOOD FLANGE ASSEMBLY (PER DESIGN PROFESSIONAL).

VAPROSHIELD WALLSHIELD/WRAPSHIELD STARTER STRIP UNDER SELF ADHERED MEMBRANE STARTER STRIP

STEP 2

VAPRO TAPE ALL JUNCTIONS TO FLANGE TYP.

INSTALL WRAPSHIELD/WALLSHIELD FROM BOTTOM TO TOP - "SHINGLE" STYLE. FOR AIR-BARRIER DESIGN, TAPE ALL OVERLAPS



EXHAUST HOOD VENT SHROUD ATTACHMENT (PER DESIGN PROFESSIONAL)



VaproShield LLC
915 26th Ave N.W., Suite C5
Gig Harbor, WA 98335
Toll Free (1)-866-731-7663
Fax: 253-858-3297
Email: info@VaproShield.com
www.VaproShield.com

NOTES:
1. DRAWING IS DIAGRAMMATIC AND NOT DRAWN TO SCALE. VERIFY ALL DIMENSIONS.
2. CONFIRM ALL DETAILS WITH PROJECTS' DESIGN PROFESSIONAL BEFORE INSTALLATION.

ARCH. REFERENCE:

REVISION:

PROJECT:

DATE: 10.12.09

SCALE: N.T.S

08.2-VENT DETAIL